

Dimension: 85 x 135 mm

OUTSIDE

NEED HELP?

BESÖHN D'HAIDE? | ¿NECESITA AYUDA? | BENÖTIGEN SIE HILFE? | HAI BISOGNO DI AIUTO? | YARDIMA MI İHTİYACINIZ VAR? | PRECISA DE AJUDA? | НУЖНА ПОМОЩЬ? | 助けが必要ですか? | 도움이 필요하신니까? | 需要幫助? | 需要幫助?

Manufacturer: 7365 Mission Gorge Rd. Ste. G San Diego, CA 92120, USA +1 858 268 1800 support@satechi.com www.satechi.net

UK Representative: CMS Distribution Ltd. CasOne Freeway Drive CASTLEFORD W Yorkshire WF10 5EJ, United Kingdom +44 20 8962 2500 EORT: GB117202262000



Authorized Representative: QIMA EUROPE AR GmbH Scheidenstraße 1 22083 Hamburg GERMANY

IMPORTANT

IMPORTANT | IMPORTANTE | WICHTIG | IMPORTANTE | ÖNEMLİ | IMPORTANTE | ВАЖНО | 重要 | 중요한 | 重要訊息 | 重要信息

The USB ports are not designed for charging, only for device syncing, data transfer and USB peripherals.

Les ports USB ne sont pas conçus pour le chargement, uniquement pour la synchronisation des appareils, le transfert de données et les périphériques USB.

Los puertos USB no están diseñados para cargar, solo para sincronización de dispositivos, transferencia de datos y periféricos USB.

USB-Anschlüsse sind nicht zum Aufladen ausgelegt, sondern nur zum Synchronisieren von Geräten, zur Datenübertragung und für USB-Peripheriegeräte.

Le porte USB non sono progettate per la ricarica, ma solo per la sincronizzazione dei dispositivi, il trasferimento dei dati e le periferiche USB.

USB bağlantı noktaları şarj için tasarlanmamıştır, yalnızca cihaz senkronizasyonu, veri aktarımı ve USB çevre birimleri için tasarlanmıştır.

As portas USB não foram projetadas para carregamento, apenas para sincronização de dispositivos, transferência de dados e periféricos USB.

Порты USB не предназначены для зарядки, только для синхронизации устройств, передачи данных и периферийных устройств USB.

USB 포트는 充電용 ではなく、デバイスの同期、データ転送、および USB 周辺機器専用に設計されています。

USB 포트는 충전용으로 설계되지 않았으며 장치 동기화, 데이터 전송 및 USB 주변 장치용으로만 설계되었습니다.

USB 端口不是为充电而设计的，仅用于设备同步、数据传输和 USB 外围设备。

USB 端口不是为充电而设计的，仅用于设备同步、数据传输和 USB 外围设备。

Upon initial installation, please ensure your SSD is properly formatted to your host device OS.

Après l'installation initiale, assurez-vous que votre SSD est correctement formaté pour le système d'exploitation de votre appareil hôte.

Después de la instalación inicial, asegúrese de que su SSD esté formateada correctamente para el sistema operativo de su dispositivo host.

Stellen Sie nach der Erstinstallation sicher, dass Ihre SSD für das Betriebssystem Ihres Hostgeräts richtig formatiert ist.

Dopo l'installazione iniziale, assicurati che il tuo SSD sia formattato correttamente per il sistema operativo del tuo dispositivo host.

İlk kurulumdan sonra, SSD'nizin ana cihazınızın işletim sistemi için uygun şekilde biçimlendirildiğinden emin olun.

Após a instalação inicial, verifique se o SSD está formatado corretamente para o sistema operacional do dispositivo host.

После первоначальной установки убедитесь, что ваш SSD правильно отформатирован для операционной системы вашего хост-устройства.

初期インストール後、SSD がホスト デバイスのオペレーティング システム用に適切にフォーマットされていることを確認してください。

초기 설치 후 SSD가 호스트 장치의 운영 체제에 맞게 올바르게 포맷되었는지 확인하십시오.

Initial installation, please ensure your SSD is properly formatted to your host device OS.

Initial installation, please ensure your SSD is properly formatted to your host device OS.

iPad will only sync via USB-A due to its power wattage requirement for syncing.

iPad ne se sincronizera que sur USB-A en raison de ses besoins en énergie pour la synchronisation.

El iPad solo se sincronizará a través de USB-A debido a su requisito de potencia para la sincronización.

Das iPad wird aufgrund seines Strombedarfs für die Synchronisierung nur über USB-A synchronisiert.

L'iPad si sincronizzerà solo tramite USB-A a causa dei requisiti di alimentazione per la sincronizzazione.

iPad, senkronizasyon için güç gereksinimi nedeniyle yalnızca USB-A üzerinden senkronize edilir.

O iPad só sincronizará por USB-A devido ao seu requisito de energia para sincronização.

iPad будет синхронизироваться только через USB-A из-за потребности в мощности для синхронизации.

iPad は、同期に電力が必要なため、USB-A 経由でのみ同期します。

iPad는 동기화를 위한 전원 요구 사항으로 인해 USB-A를 통해서만 동기화됩니다.

由于同步的电源要求，iPad 只能通过 USB-A 进行同步。

When connecting headphones to audio port, please make sure to adjust sound output under System Settings > Sound > Output > USB PnP Audio Device.

Lorsque vous connectez un casque au port audio, assurez-vous de régler la sortie audio sous Paramètres système > Son > Sortie > Périphérique audio USB PnP.

Cuando se conecten auriculares al puerto de audio, por favor, asegúrese de configurar la salida del sonido en Ajustes del Sistema > Sonido > Salida > Dispositivo de Audio USB PnP.

Wenn Sie Kopfhörer an den Audioanschluss anschließen, stellen Sie bitte sicher, dass Sie die Tonausgabe unter Systemeinstellungen > Ton > Ausgabe > USB-PnP-Audiogerät anpassen.

In seguito alla connessione del jack per le cuffie, per favore controllare di impostare l'output del suono sotto Impostazioni di sistema > Suono > Output > Dispositivo USB PnP Audio.

Kulaklıkları ses portuna bağlarken lütfen Sistem Ayarları > Ses > Çıktı > USB PnP Ses Cihazı içerisinde ses çıktısını ayarladığınızdan emin olun.

Ao conectar fones de ouvido à porta de áudio, por favor, ajuste a saída de áudio em Ajustes > Som > Saída > Dispositivo de Áudio USB PnP.

При подключении наушников к аудиопорту пожалуйста настройте вывод звука в разделе «Системные настройки» > «Звук» > «Вывод» > «Аудиоустройство USB PnP».

音声ポートにヘッドホンを接続する時は、システム設定>サウンド>出力先> USB PnP Audio Deviceを選択するように下さい。

iPad는 동기화를 위한 전원 요구 사항으로 인해 USB-A를 통해서만 동기화됩니다.

當耳機連接到音頻端口時，請確保在「系統設置>聲音>輸出>USB PnP音頻設備」下調整聲音輸出。

当耳机连接到音頻端口时，请确保在「系统设置>声音>输出>USB PnP音频设备」下调整声音输出。



STAND & HUB FOR MAC MINI/STUDIO WITH NVME SSD ENCLOSURE

USER MANUAL

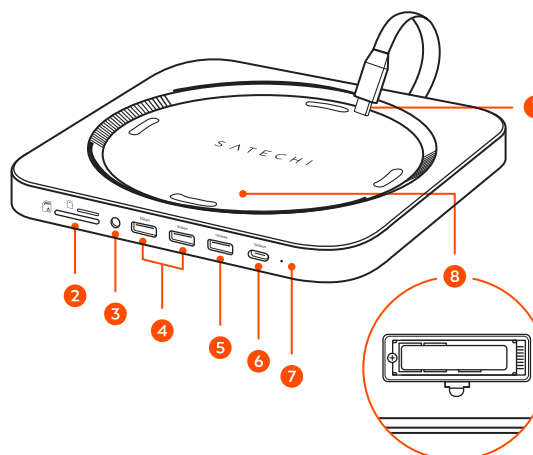


Manuel de l'utilisateur | Manual de Usuario | Benutzerhandbuch | Manuale utente | Kullanım Kılavuzu | Manual de usuário | Руководство пользователя | ユーザーマニュアル | 사용자 매뉴얼 | 使用者説明 | 用户说明

INSIDE

FUNCTIONS

FONCTIONS | FUNCIONES | FUNKTIONEN | FUNZIONI | FONKSIYONLAR | FUNÇÕES | ФУНКЦИИ | 機能 | 기능 | 功能 | 功能



1. Built-in USB-C Connector

Connecteur USB-C intégré | Conector USB-C integrado | Integrierter USB-C-Anschluss | Connettore USB-C integrato | Dahili USB-C Konektörü | Conector USB-C integrado | Встроенный порт USB-C | Билт-ин USB-C Коネクта | 내장 USB-C 커넥터 | 內置 USB-C 連接器 | 內置 USB-C 連接器

2. SD & Micro SD Card Slots (UHS-I Speeds)

Fentes cartes SD et Micro SD | Ranuras para tarjeta SD y Micro SD | SD- und Micro-SD-Kartensteckplätze | Slot per schede SD e Micro SD | SD ve Mikro SD kart yuvaları | Slots para cartões SD e Micro SD | слоты для SD и Micro SD карт | SD & Micro SD Cardslots | SD & Micro SD카드 슬롯 | SD & Micro SD卡槽 | SD & Micro SD卡槽

3. Audio Jack Port

Port de prise audio | Puerto de audio | Audioanschluss | Porta audio jack | Ses Jaki Bağlantı Noktası | Porta de áudio | Аудиоразъем Порт | 音聲ジャックポート | 음성 잭 포트 | 音頻插孔端口 | 音頻插孔端口

4. 2X USB-A 3.2 Gen 1 Ports (5 Gbps)

Ports USB-A 3.2 Gen 1 | Puertos USB-A 3.2 Gen 1 | USB-A 3.2 Gen 1-Anschlüsse | Porte USB-A 3.2 Gen 1 | USB-A 3.2 Gen 1 Portları | Portas USB-A 3.2 Gen 1 | USB-A 3.2 Gen 1 порты | USB-A 3.2 Gen 1 포트 | USB-A 3.2 Gen 1 포트 | USB-A 3.2 Gen 1 端口 | USB-A 3.2 Gen 1 端口

5. USB-A 3.2 Gen 2 Port (10 Gbps)

Port USB-A 3.2 Gen 2 | Puerto USB-A 3.2 Gen 2 | USB-A 3.2 Gen 2-Anschluss | Porta USB-A 3.2 Gen 2 | USB-A 3.2 Gen 2 Portu | Porta USB-A 3.2 Gen 2 | Порт USB-A 3.2 Gen 2 | USB-A 3.2 Gen 2 포트 | USB-A 3.2 Gen 2 포트 | USB-A 3.2 Gen 2 端口 | USB-A 3.2 Gen 2 端口

6. USB-C 3.2 Gen 2 Port (10 Gbps)

Port USB-C 3.2 Gen 2 | Puerto USB-C 3.2 Gen 2 | USB-C 3.2 Gen 2-Anschluss | Porta USB-C 3.2 Gen 2 | USB-C 3.2 Gen 2 Portu | Porta USB-C 3.2 Gen 2 | Порт USB-C 3.2 Gen 2 | USB-C 3.2 Gen 2 포트 | USB-C 3.2 Gen 2 포트 | USB-C 3.2 Gen 2 端口 | USB-C 3.2 Gen 2 端口

7. LED Indicator

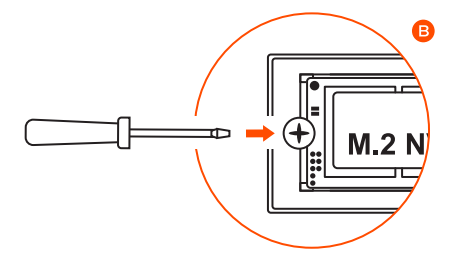
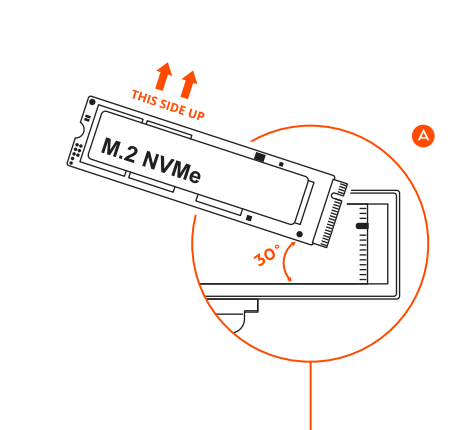
Indicateur LED | Indicador LED | LED-Anzeige | Indicateur LED | LED Göstergesi | Indicador LED | Светодиодный индикатор | LED ンジゲータ | LED 표시등 | LED 指示燈 | LED指示灯

8. M.2 NVMe & SATA SSD Enclosure

Boîtier SSD M.2 NVMe et SATA | Caja SSD M.2 NVMe y SATA | M.2 NVMe- und SATA-SSD-Gehäuse | Alloggiamento SSD M.2 NVMe e SATA | M.2 NVMe ve SATA SSD Muhafazası | Compartimento SSD M.2 NVMe e SATA | Корпус SSD M.2 NVMe и SATA | M.2 NVMe および SATA SSD エンクロージャー | M.2 NVMe 및 SATA SSD 케이스 | M.2 NVMe и SATA SSD 外殼 | M.2 NVMe 和 SATA SSD 外壳

SSD INSTALLATION

SSD INSTALLATION | INSTALACIÓN SSD | SSD-INSTALLATION | INSTALLAZIONE SSD | SSD KURULUMU | INSTALAÇÃO SSD | УСТАНОВКА SSD | SSD のインストール | SSD 설치 | SSD安裝 | SSD安裝

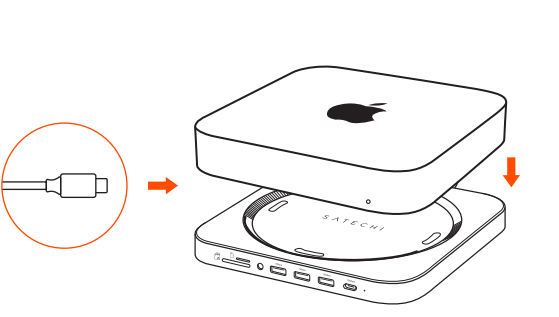


NOTE:

COMPATIBLE WITH M.2 NVME AND SATA SSD DRIVE • COMPATIBLE AVEC LES DISQUES SSD M.2 NVME ET SATA • COMPATIBLE CON UNIDADES M.2 NVME Y SATA SSD • KOMPATIBEL MIT M.2 NVME UND SATA SSD-LAUFWERK • COMPATIBILE CON UNITÀ SSD M.2 NVME E SATA • M.2 NVME VE SATA SSD SÜRÜCÜ İLE UYUMLU • COMPATÍVEL COM UNIDADE SSD M.2 NVME E SATA • СОВМЕСТИМОСТЬ С ТВЕРДОТЕЛЬНЫМИ НАКОПИТЕЛЯМИ M.2 NVME И SATA • M.2 NVME および SATA SSD ドライブと互換性あり • M.2 NVME 및 SATA SSD 드라이브와 호환 가능 • 兼容 M.2 NVME 和 SATA SSD 驅動器 • 兼容 M.2 NVME 和 SATA SSD 驅動器

PLUG & PLAY

BRANCHEZ & JOUEZ | CONECTAR Y USAR | STECKEN & SPIELEN | COLLEGARE E GIOCARRE | TAK VE ÇALIŞTIR | CONECTE E USE | ПОДКЛЮЧИ И РАБОТАЙ | プラグ&プレイ | 플러그 앤 플레이 | 即插即用 | 即插即用



1. Connect to your Mac Mini

Connectez votre Mac Mini | Conecte a su Mac Mini | Verbinde deinen Mac Mini | Collega il tuo Mac Mini | Mac Mini'nizi bağlayın | Conecte seu Mac Mini | Подключите свой Mac Mini | Mac Mini を接続する | Mac Mini 연결 | 連接您的 Mac Mini | 連接您的 Mac Mini

2. Connect your devices

Connectez vos appareils | Conecte sus dispositivos | Schließen Sie Ihre Geräte an | Collega i tuoi dispositivi | Cihazlarınızı bağlayın | Conecte seus dispositivos | Подключите свои устройства | お使いのデバイスを接続 | 기기 연결 | 連接到您的裝置 | 连接到您的设备



This device complies with part 15 of the FCC rules. Operation is subject to the following two conditions: 1. This device may not cause harmful interference and 2. This device must accept any interference received, including interference that may cause undesired operation.

Note: This Equipment has been tested and found to comply with the limits for a class B digital device, pursuant to Part 15 of the Federal Communications Commission (FCC) rules. These limits are designed to provide reasonable protection against harmful interference in a residential installation. This equipment generates, uses, and can radiate radio frequency energy and, if not installed and used in accordance with the instructions, may cause harmful interference to radio communications. However, there is no guarantee that interference will not occur in a particular installation. If this equipment does cause harmful interference to radio or television reception, which can be determined by turning the equipment off and on, the user is encouraged to try to correct the interference by one or more of the following measures: 1.1. Reorient or relocate the receiving antenna 1.2. Increase the separation between the equipment and receiver 1.3. Connect the equipment into an outlet on a circuit different from that to which the receiver is connected 1.4. Consult the dealer or an experienced radio/TV technician for help

Changes or modifications not expressly approved by the manufacturer could void the user's authority operate the equipment.



CE DECLARATION OF CONFORMITY Satechi declares that this product is in compliance with the essential requirements and other relevant provisions of applicable EC directives. For Europe, a copy of the Declaration of Conformity for this product may be obtained by visiting https://satechi.net/support/doc



According to the WEEE (Waste Electrical and Electronic Equipment) Directive, do not dispose of this product as household waste or commercial waste. Waste electrical and electronic equipment should be appropriately collected and recycled as required by practices established for your country. For information on recycling of this product, please contact your local authorities, your household waste disposal service, or the shop where you purchased the product.

CAN ICES-003 (B)/NMB-003(B) This Class B digital apparatus complies with Canadian ICES-003. (Cet appareil numérique de la Classe B conforme à la norme NMB-003 du Canada)

